

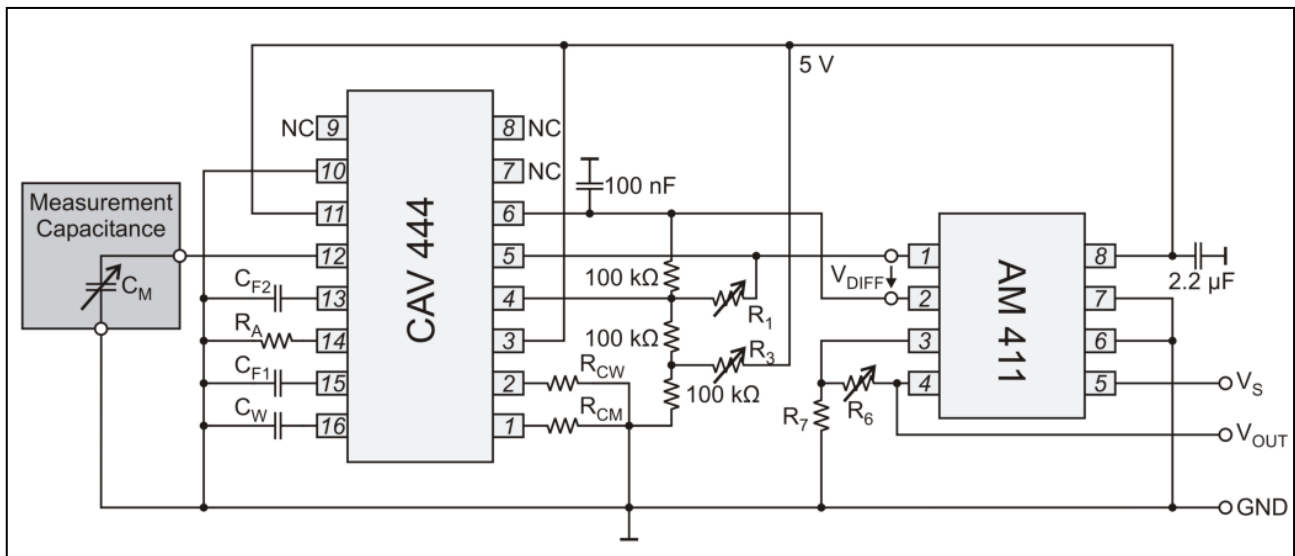
# CAV444 AN01

## Construction of capacitive sensors with 0..5 V/0..10 V output

For industrial capacitive sensor applications requiring an analog output voltage range of 0..5 V or 0..10 V the C/V-converter CAV444 can be combined with the IC AM411. Sensor systems built with this combination are protected against short circuit.

CAV444 is an integrated capacitance-to-voltage converter, which is able to convert a capacitive measurement head's capacitance into an output voltage between 1 and 4 V. To realize an analog output voltage range of 0..5 V or 0..10 V in capacitive sensors Analog Microelectronics proposes the combination of CAV444 and AM411 shown in *Figure 1*. In this combination AM411 powers CAV444 and converts its differential output voltage into a 0..5 V or 0..10 V output voltage<sup>1</sup>. Due to AM411's protection functions the complete sensor system is protected against short circuit.

The proposed system is designed for the industrial supply voltage of  $V_S = 24\text{ V}$ , which is included in the overall supply voltage range  $V_S = 10..35\text{ V}$  for an output of 0..5 V or  $V_S = 15..35\text{ V}$  for an output of 0..10 V.



**Figure 1: Capacitive sensor system with industrial output voltage range 0..5V or 0..10V**

Following CAV444's datasheet [1] and AM411's datasheet [2] the output voltage  $V_{OUT}(C_M)$  of the sensor system, which is shown in *Figure 1*, can be calculated by:

$$V_{OUT}(C_M) = 5 \cdot \left(1 + \frac{R_6}{R_7}\right) \cdot V_{DIFF} = 5 \cdot \left(1 + \frac{R_6}{R_7}\right) \cdot \left[ G_{CAV444} \cdot \left( \frac{9}{16} \cdot \frac{C_M}{C_{M,max}} \right) + (B-1) \cdot V_{REF} \right] \quad (1)$$

with

$R_6, R_7$	Resistors used to choose the output voltage range
$V_{DIFF}$	CAV444's differential output voltage (illustrated in <i>Figure 1</i> )
$G_{CAV444}$	CAV444's gain which can be adjusted using $R_1, R_2, R_3, R_4$ and $R_5$ (see [1])
$B$	CAV444's offset adjustment coefficient (see [1])
$C_M$	Measurement capacitance value of the specific sensor head
$C_{M,max}$	Maximum measurement capacitance value of the specific sensor head
$V_{REF}$	Reference voltage generated by CAV444

<sup>1</sup> Instead of AM411 it is also possible to use the IC AM401. The small changes needed to connect CAV424 to AM401 can be derived from AM401's data sheet.

# CAV444 AN01

## Construction of capacitive sensors with 0..5 V/0..10 V output

### Dimensioning:

The dimensioning of the external components ( $C_W$ ,  $C_{F1}$ ,  $C_{F2}$ ,  $R_{CM}$ ,  $R_{CW}$ ,  $R_A$ ,  $R_1$ ,  $R_3$ ,  $R_6$  and  $R_7$ ) in the circuit shown in *Figure 1* depends on the used capacitive measurement head with its specific capacitive measurement range and the desired output voltage range. Using the Excel-sheet Kali\_CAV444 (see [3]) the values for  $C_W$ ,  $C_{F1}$ ,  $C_{F2}$ ,  $R_{CM}$ ,  $R_{CW}$ ,  $R_A$ ,  $R_1$  and  $R_3$ , which define CAV444's operating point, can be calculated for the application specific kind of measurement head.  $R_6$  and  $R_7$  define AM411's gain and the system's output voltage range. Using the special operating point for CAV444 described below  $R_6$  and  $R_7$  can be chosen as fixed resistors for the specified voltage range. A recommendation for these fixed values is given later on.

To set CAV444's special operating point the following information has to be entered into step one (dimensioning and presetting) of the Excel-sheet Kali\_CAV444 (see *Figure 2*):

$C_{M,min}$	Minimum measurement capacitance of the specific sensor head
$C_{M,max}$	Maximum measurement capacitance of the specific sensor head
$I_{CW} = 20 \mu A$	Converter charge current. 20 $\mu A$ is suitable for $C_{M,min} < 1 nF$ (see [3])
$I_{CM} = 20 \mu A$	Charge current for $C_M$ . 20 $\mu A$ is suitable for $C_{M,min} < 1 nF$ (see [3])
$V_{DIFF(min)} = 0 V$	Minimum differential output voltage at $C_{M,min}$
$V_{DIFF(max)} = 0.56 V$	Maximum differential output voltage at $C_{M,max}$

Using these input values the Excel-sheet Kali\_CAV444 determines the corresponding dimensioning for  $C_W$ ,  $C_{F1}$ ,  $C_{F2}$ ,  $R_{CM}$ ,  $R_{CW}$ ,  $R_{1(meas)}$ ,  $R_{3(meas)}$  and  $R_A$ , which is shown in *Figure 3*. The values given for  $R_{1(meas)}$  and  $R_{3(meas)}$  are standardized interim measurement resistances. They will be replaced or trimmed to their final values for each sensor system individually after the sensor systems have been assembled.

By choosing the above mentioned special operating point with  $V_{DIFF(min)} = 0 V$  and  $V_{DIFF(max)} = 0.56 V$ , AM411's gain becomes independent from the measurement head's specifications. It only depends on the desired output voltage range  $V_{OUT}$ .

To select the specific industrial output voltage range the following resistor values can be used:

$$R_6 = 44 k\Omega^2 \text{ and } R_7 = 56 k\Omega \quad \text{for} \quad V_{OUT} = 0..5 V$$
$$R_6 = 84.7 k\Omega^3 \text{ and } R_7 = 33 k\Omega \quad \text{for} \quad V_{OUT} = 0..10 V$$

With these values for  $C_W$ ,  $C_{F1}$ ,  $C_{F2}$ ,  $R_{CM}$ ,  $R_{CW}$ ,  $R_A$ ,  $R_1$ ,  $R_3$ ,  $R_6$  and  $R_7$  the sensor system's dimensioning for the specific capacitive measurement head is complete. All sensor systems equipped with this kind of capacitive measurement head can be assembled using this dimensioning<sup>4</sup>.

Due to tolerances in the system's components each sensor system built with this dimensioning has to be trimmed individually. The trimming is described in step two of the Excel-sheet Kali\_CAV444. For that purpose the specific sensor system has to be put into operation. Using the interim resistors  $R_{1(meas)}$  and  $R_{3(meas)}$  CAV444's differential output voltage  $V_{DIFF}$  has to be measured at  $C_{M,min}$  and at  $C_{M,max}$  and the measured values have to be entered into Excel-sheet Kali\_CAV444 as  $V_{DIFF(meas,min)}$  and  $V_{DIFF(meas,max)}$  (see *Figure 4*). Based on these values the Excel-sheet Kali\_CAV444 calculates the final values for  $R_1$  and  $R_3$ . After setting  $R_1$  and  $R_3$  to their final values  $R_{1(final)}$  and  $R_{3(final)}$  the system is completely trimmed and ready for operation.

### Notes:

1. In this trimming procedure AM411's gain is considered as ideal. For sensor systems with an error less than 1 % FS a fine trimming of  $R_6$  and  $R_7$  might be necessary. To optimize the system's gain  $R_6$  or  $R_7$  can be trimmed.
2. The tolerances for  $C_W$ ,  $C_{F1}$ ,  $C_{F2}$ ,  $R_{CM}$ ,  $R_{CW}$ ,  $R_A$ ,  $R_1$ ,  $R_2$ ,  $R_3$ ,  $R_4$  and  $R_5$  are given in [3]. For  $R_6$  and  $R_7$  it is recommended to choose resistors with 0.1% tolerance.

<sup>2</sup> Using E12-series resistors  $R_6 = 44 k\Omega$  can be obtained by using two 22 k $\Omega$  resistors in series.

<sup>3</sup> Using E12-series resistors  $R_6 = 84.7 k\Omega$  can be obtained by using a 2.7 k $\Omega$  and a 82 k $\Omega$  resistors in series.

<sup>4</sup>  $R_{1(meas)}$  and  $R_{3(meas)}$  are interim measurement resistors, which can be integrated in a measurement setup instead of soldering them to the pcb.

# CAV444 AN01

## Construction of capacitive sensors with 0..5 V/0..10 V output

### Example:

To illustrate the dimensioning procedure a sensor system with a desired 0.5 V output voltage and  $C_{M,min} = 100 \text{ pF}$  and  $C_{M,max} = 1000 \text{ pF}$  is considered. Figure 2 shows the input values, which have to be entered into the Excel-sheet Kali\_CAV444.

Input of user settings:			
Parameter	Symbol	Value	Unit
Converter charge current: Range: 2 - 25 $\mu\text{A}$	$I_{CW}$	20.000	$\mu\text{A}$
Charge current for $C_M$ Range: 20 - 50 $\mu\text{A}$	$I_{CM}$	20.000	$\mu\text{A}$
Min. measurement capacitor Range: 10 pF - 10,000 pF	$C_{M,min}$	100.00	pF
Max. measurement capacitor Range: 10 pF - 10,000 pF	$C_{M,max}$	1000.00	pF
Desired minimum output voltage $V_{DIFF} (=V_{OUT}-V_{REF}) @ C_{M,min}$ Range: -1.5V to 1.5V	$V_{DIFF(min)}$	0.00	V
Desired maximum output voltage $V_{DIFF} (=V_{OUT}-V_{REF}) @ C_{M,max}$ Range: -1.5V to 1.5V $V_{DIFF(min)} < V_{DIFF(max)}$ !	$V_{DIFF(max)}$	0.56	V

Figure 2: Input of user settings

The Excel-sheet Kali\_CAV444 calculates the dimensioning of the external components shown in Figure 3:

Output of dimensioning values:			
Parameter	Symbol	Value	Unit
f/V converter capacitor	$C_W$	1400.00	pF
Lowpass capacitor	$C_{F1,F2(min)}$	108.58	nF
Reference voltage capacitor	$C_{VREF}$	100.00	nF
Measurement osc. current resistor	$R_{CM}$	125.00	k $\Omega$
Converter current resistor	$R_{CW}$	125.00	k $\Omega$
f/V stage biasing resistor	$R_A$	60.00	k $\Omega$
Full-Scale resistor calibration start value	$R_{1(meas)}$	33.00	k $\Omega$
Offset resistor calibration start value	$R_{3(meas)}$	100.00	k $\Omega$
Output stage resistors	$R_2, R_4, R_5$	100.00	k $\Omega$

Figure 3: Output of dimensioning values

Since small variances to the calculated values are acceptable (see [3]) and  $C_{F1}$ ,  $C_{F2}$  have to be equal or larger than the values given in Figure 3 it is possible to use the following E12-series components:

$$C_W = 1500 \text{ pF}$$

$$R_{CM} = R_{CW} = 120 \text{ k}\Omega$$

$$R_{3(meas)} = 100 \text{ k}\Omega (0.1 \%)$$

$$C_{F1} = C_{F2} = 220 \text{ nF}$$

$$R_A = 56 \text{ k}\Omega$$

$$R_2 = R_4 = R_5 = 100 \text{ k}\Omega (1 \%)$$

$$C_{VREF} = 100 \text{ nF}$$

$$R_{1(meas)} = 33 \text{ k}\Omega (0.1 \%)$$

Along with the following resistors

$$R_6 = 44 \text{ k}\Omega (0.1 \%)$$

$$R_7 = 56 \text{ k}\Omega (0.1 \%)$$

the dimensioning is complete for the desired output voltage range of 0..5 V.

# CAV444 AN01

## Construction of capacitive sensors with 0..5 V/0..10 V output

To illustrate how the trimming step has to be done a real sensor system is considered, which was built with this dimensioning. For this sensor system the differential output voltages at  $C_{M,min} = 99.75 \text{ pF}$  and  $C_{M,max} = 1014.6 \text{ pF}$  were measured and are given below:

$$V_{DIFF(meas,min)} = 0.0989 \text{ V}$$

$$V_{DIFF(meas,max)} = 0.8366 \text{ V}$$

These values are entered into the Excel-sheet to calculate the final trimming resistor values (see Figure 4).

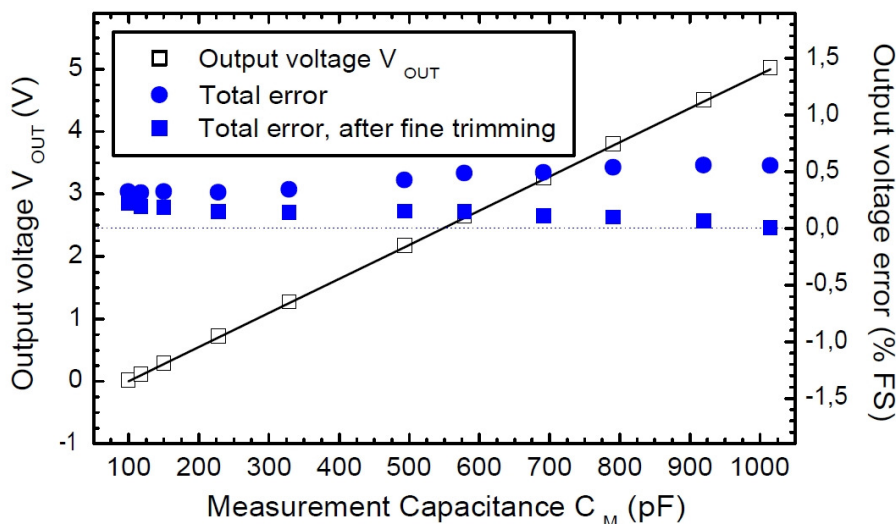
Input of measurements			
Parameter	Symbol	Value	Unit
Measured min. output voltage $V_{DIFF(meas,min)} = (V_{OUT}-V_{REF})@C_{M,min}$	$V_{DIFF(meas,min)}$	0.0989	V
Measured max. output voltage $V_{DIFF(meas,max)} = (V_{OUT}-V_{REF})@C_{M,max}$	$V_{DIFF(meas,max)}$	0.8366	V

Replace  $R_{1(meas)} = 33 \text{ k}$  and  $R_{3(meas)} = 100\text{k}$  with the following:

Output of calculated resistances			
Parameter	Symbol	Value	Unit
Final trimming resistor value $R_1$	$R_{1 (final)}$	10.00	k $\Omega$
Final trimming resistor value $R_3$	$R_{3 (final)}$	43.70	k $\Omega$

**Figure 4: Calculation of the final trimming resistor values**

After setting  $R_1$  and  $R_3$  to their final values (instead of the calculated value for  $R_{3(final)}$   $R_3 = 43.6 \text{ k}\Omega$  was used) this real sensor system was put into operation and the output voltage signal as a function of  $C_M$  was measured. Figure 5 shows the output voltage signal along with the ideal transfer function. In addition the system's total error is shown (round blue dots: before a fine trimming was done; square blue dots: after a fine trimming using  $R_6$  was done). As illustrated below the system's error without fine trimming was found to be approximately 0.7 % FS and with fine trimming < 0.3 % FS.



**Figure 5: Output voltage signal and error obtained for a sample sensor system**

### References:

- 1.) CAV444's data sheet (see <http://www.analogmicro.de>)
- 2.) AM411's data sheet (see <http://www.analogmicro.de>)
- 3.) Excel-sheet Kali\_CAV444 (Rev. 3.2) (see <http://www.analogmicro.de>)